

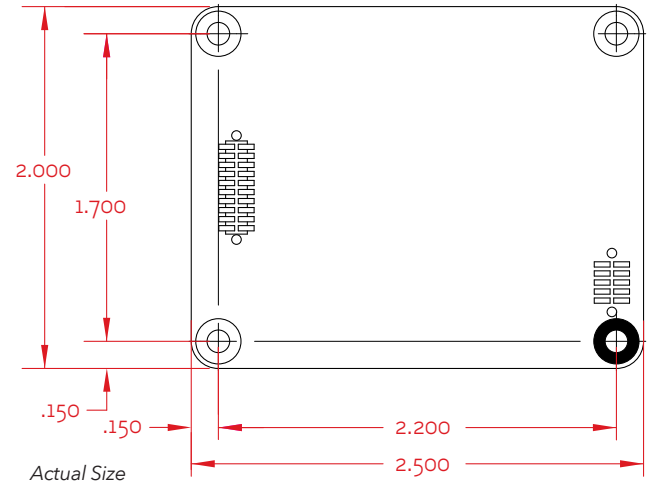
MX-5™

Masimo rainbow SET™ OEM Board

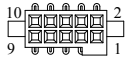
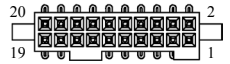
BOARD DIMENSIONS

| Typical | Board Dimensions |
|------------|------------------|
| 2.0 inch | Width |
| 2.5 inch | Length |
| 0.062 inch | Thickness |
| 0.2 inch | Top Height |
| 0.1 inch | Bottom Height |
| 0.125 inch | Mounting Hole Ø |

BOARD OUTLINE - TOP VIEW



CONNECTOR DATA

| Connector Description | Power and Communications Connector | Sensor Connector |
|-----------------------|--|---|
| Number of Pins | 10 | 20 |
| Configuration | 2 rows of 5 | 2 rows of 10 |
| Angle | Vertical | Vertical |
| Pin Grid | 0.050 inch | 0.050 inch |
| Manufacturer Part # | Samtec SFM-105-02-S-D-A  | Samtec SFML-110-T2-S-D-A  |

DC POWER REQUIREMENTS

| | Typical | Maximum |
|--|----------|----------|
| Input Voltage | +5V | ±0.25V |
| Line/Load Regulation | | 1.0% rms |
| Avg. Power (rainbow SET [®]) | 350 mW | 500 mW |
| Avg. Power (Masimo SET [®]) | < 150 mW | - |

SERIAL INTERFACE

| | Default | Maximum |
|--------------------------|----------|------------|
| Baud Rate (configurable) | 9600 bps | 115200 bps |

Caution: Federal (USA) law restricts this device to sale by or on the order of a physician. See instructions for use for full prescribing information, including indications, contraindications, warnings, and precautions.

Masimo U.S.
Tel: 1 877 4 Masimo
info-america@masimo.com

Masimo International
Tel: +41 32 720 1111
info-international@masimo.com

